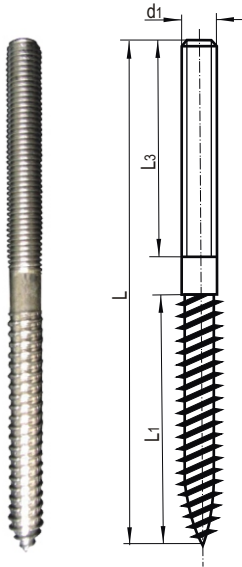


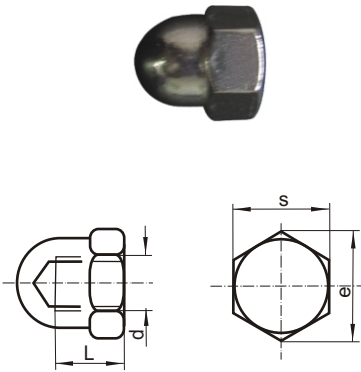
WALL STUD STAINLESS STEEL A4 - AISI 316



Size d1	L ₁ mm	L ₂ mm	L ₃ mm	Part number	Part number
M6	90	48	36	4 7200 4 06	4 7200 4 06 L
M8	130	65	55	4 7200 4 08	4 7200 4 08 L
M10	150	72	65	4 7200 4 10	4 7200 4 10 L
M12	170	85	75	4 7200 4 12	4 7200 4 12 L

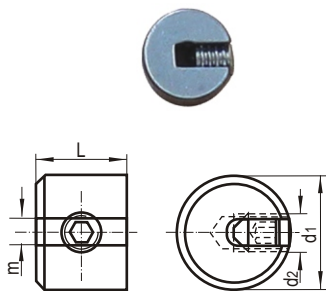
- L - left thread

CAPPED NUT STAINLESS STEEL A4 - AISI 316



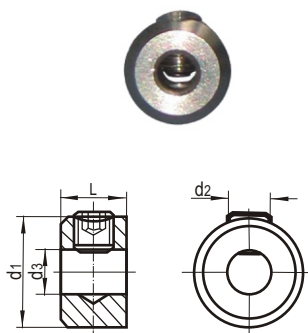
Size	d mm	L mm	e mm	s mm	Part number
M6	M6	8.0	11.0	10	5 90070 06
M8	M8	11.0	14.4	13	5 90070 08
M10	M10	13.0	18.9	17	5 90070 10
M12	M12	16.0	21.1	19	5 90070 12
M16	M16	21.0	26.8	24	5 90070 16
M20	M20	26.0	33.6	30	5 90070 20

STOPPER STAINLESS STEEL A4 - AISI316



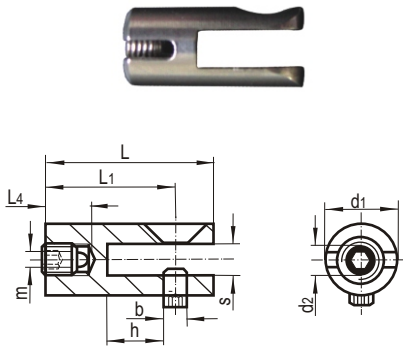
Size	Rope ∅ mm	m mm	d ₁ mm	d ₂ mm	L mm	Part number
2	1.5 + 2	2.2	10	M4	8	5 4866 2
4	3 + 4	4.3	15	M8	12	5 4866 4
6	5 + 6	6.3	20	M10	15	5 4866 6

CLAMPING RING STAINLESS STEEL A4 - AISI 316



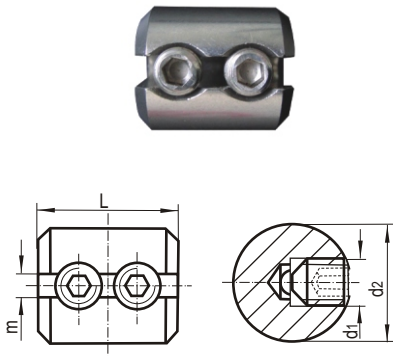
Size	Rope ∅ mm	d ₁ mm	d ₂ mm	d ₃ mm	L mm	Part number
2	2	8	M4	2.3	6	5 4826 2
4	3	10	M4	3.3	6	5 4826 3
6	4	12	M4	4.3	8	5 4826 4

DISPLAY CLAMP
STAINLESS STEEL A4 - AISI 316



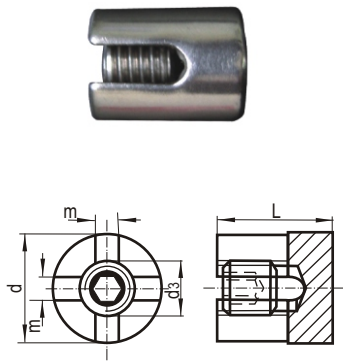
Size	Rope Ø mm	L mm	L1 mm	L4 mm	d1 mm	d2	m mm	h mm	b	s mm	Part number
2	1.5 + 2	22	17	6	10	M4	2.2	7	M3	4.5	5 4916 2

STOPPER, DOUBLE
STAINLESS STEEL A4 - AISI 316



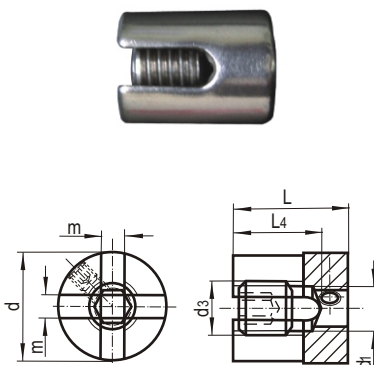
Size	Rope Ø mm	m mm	Thread d1	d2 mm	L mm	Part number
4	3 + 4	4.2	M8	20	24	5 8846 4
6	5 + 6	6.2	M10	28	32	5 8846 6

CROSS - OVER CLIP
STAINLESS STEEL A4 - AISI 316



Size	Rope Ø mm	d mm	L mm	d3 mm	m mm	Part number
3	3	17	19	M10	3.3	4 7119 4 3
4	4	20	23	M12	4.4	4 7119 4 4
5	5	20	24	M12	5.4	4 7119 4 5
6	6	21	25	M12	6.3	4 7119 4 6

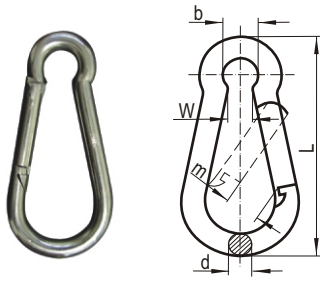
CROSS - OVER CLIP
STAINLESS STEEL A4 - AISI 316



Size	Rope Ø mm	d mm	L mm	L4 mm	d1 mm	d3 mm	m mm	Part number
4	3 + 4	20	21	16	M8	M10	4.2	5 38962 04

CARABINE HOOK

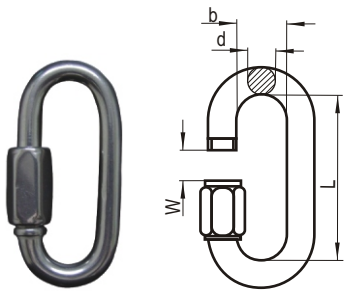
STAINLESS STEEL A4 - AISI 316



Size	b mm	d mm	L mm	m mm	w mm	Part number
50 x 5	8	5	50	6	6	4 7934 4 0550
60 x 6	9	6	60	7	7	4 7934 4 0660
70 x 7	10	7	70	9	8	4 7934 4 0770
80 x 8	12	8	80	10	9	4 7934 4 0880
100 x 10	15	10	100	14	12	4 7934 4 10100
140 x 12	22	12	140	21	17	4 7934 4 12140

QUICK COUPLING LINK

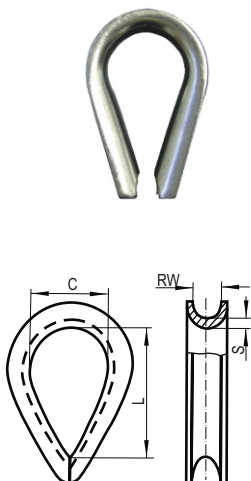
STAINLESS STEEL A4 - AISI 316



Size	b mm	d mm	L mm	w mm	Part number
4	10	4	33	5.5	5 96250 04
5	12	5	39	6.5	5 96250 05
6	13	6	45	7.5	5 96250 06
7	16	7	53	8.5	5 96250 07
8	16	8	59	10.0	5 96250 08
10	20	10	70	12.0	5 96250 10

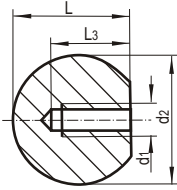
THIMBLE

STAINLESS STEEL A4 - AISI 316



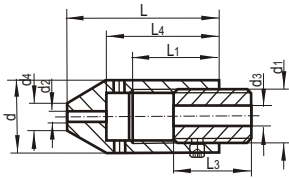
Size Ø mm	RW mm	c mm	L mm	s mm	Part number
2	2	7	12	1.0	4 7932 4 02
3	3	9	16	1.0	4 7932 4 03
4	4	11	20	1.0	4 7932 4 04
5	5	13	21	1.0	4 7932 4 05
6	6	15	29	1.2	4 7932 4 06
8	8	18	33	1.4	4 7932 4 08
10	10	24	44	1.5	4 7932 4 10
12	12	26	45	1.8	4 7932 4 12

THREADED BALL STAINLESS STEEL A4 - AISI 316



Size	Thread d ₁	d ₂ mm	L mm	L ₃ mm	Part number
M 6/15	M6	15	14.0	9	5 2016 6/15
M 6/20	M6	20	18.5	12	5 2016 6/20
M 8/20	M8	20	18.0	12	5 2016 8/20
M 6/25	M6	25	22.0	15	5 2016 6/25
M 6/30	M6	30	22.0	15	5 2016 6/30

TENSIONER STAINLESS STEEL A4 - AISI 316



Size	Rope Ø mm	L mm	L ₁ mm	L ₃ mm	L ₄ mm	d mm	d ₁	d ₂ mm	d ₃	d ₄ mm	Part number
2	1.5 + 2	35	20	18	26	16	M12	2.5	M5	6	5 4836 2
4	3 + 4	40	25	23	33	20	M16	4.5	M6	12	5 4836 4