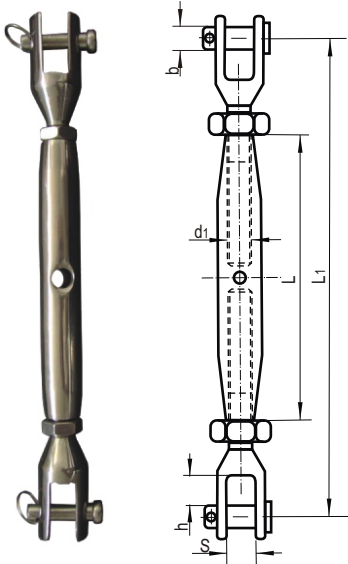
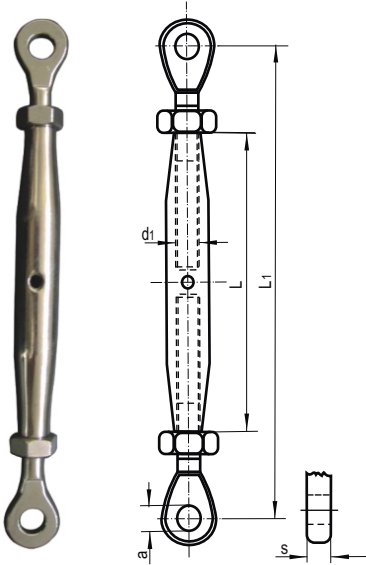


RIGGING SCREW JAW - JAW
STAINLESS STEEL A4 - 316



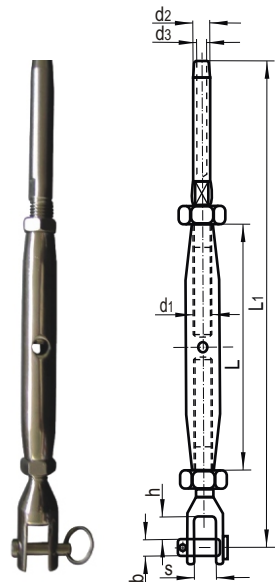
Size	d ₁	h mm	s mm	b mm	L mm	L ₁ mm	Part number
6	M6	9	6	5	78	130	INOX - TTJ - 6
8	M8	11	8	6	90	150	INOX - TTJ - 8
10	M10	11	10	8	99	175	INOX - TTJ - 10
12	M12	14	12	8	125	215	INOX - TTJ - 12
14	M14	18	14	12	155	270	INOX - TTJ - 14
16	M16	20	16	12	170	300	INOX - TTJ - 16
20	M20	22	20	14	220	360	INOX - TTJ - 20
22	M22	24	30	16	260	435	INOX - TTJ - 22

RIGGING SCREW EYE - EYE
STAINLESS STEEL A4 - AIS 316



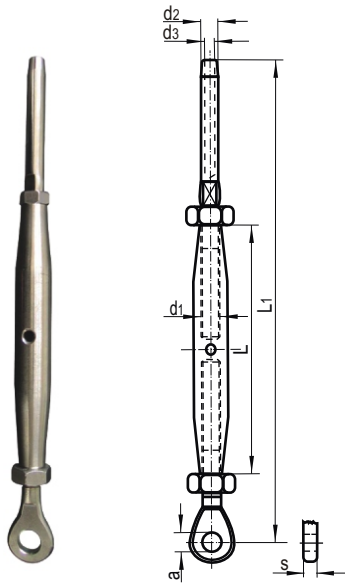
Size	d ₁	s mm	a mm	L mm	L ₁ mm	Part number
6	M6	4	7	90	125	INOX - TTE - 6
8	M8	5	8.5	105	155	INOX - TTE - 8
10	M10	6	11	125	190	INOX - TTE - 10
12	M12	8	13	150	222	INOX - TTE - 12
14	M14	9	15	165	250	INOX - TTE - 14
16	M16	10	15	190	275	INOX - TTE - 16

RIGGING SCREW JAW - SWAGE
STAINLESS STEEL A4 - 316



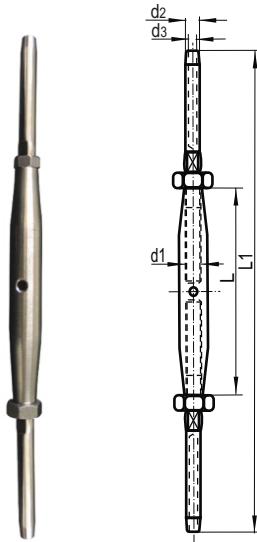
Rope ∅ mm	Thread d ₁	d ₂ mm	d ₃ mm	h mm	s mm	b mm	L mm	L ₁ mm	Part number
3	M6	6.3	3.3	9	6	5	78	155	4 V 06
4	M8	7.5	4.3	11	10	6	90	185	4 V 08
5	M10	9.0	5.3	11	10	8	99	200	4 V 10
6	M12	12.5	6.3	14	12	8	125	255	4 V 12
8	M16	16.0	8.3	20	15	12	170	370	4 V 16
10	M20	17.8	10.5	25	20	14	210	415	4 V 20
12	M20	20	12.5	25	20	14	210	425	4 V 201
14	M22	25	14.5	30	23	18	250	490	4 V 22
16	M22	28	16.5	30	23	18	250	510	4 V 221

RIGGING SCREW EYE - SWAGE STAINLESS STEEL A4 - AISI 316



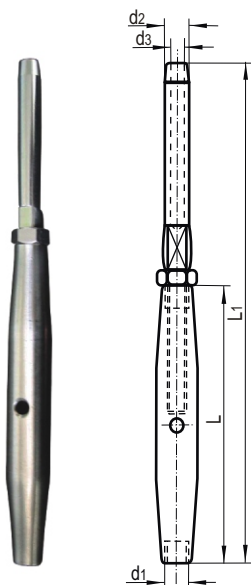
Rope Ø mm	Thread d ₁	d ₂ mm	d ₃ mm	a mm	s mm	L mm	L ₁ mm	Part number
3	M6	6.3	3.3	6.5	4	95	168	4 U 06
4	M8	7.5	4.3	8.5	5	105	200	4 U 08
5	M10	9.0	5.3	10.5	6	125	234	4 U 10
6	M12	12.5	6.3	13.0	8	150	280	4 U 12
8	M16	16.0	8.3	14.5	10	190	362	4 U 16
10	M20	17.8	10.5	19.5	15	215	405	4 U 20

RIGGING SCREW SWAGE - SWAGE STAINLESS STEEL A4 - AISI 316



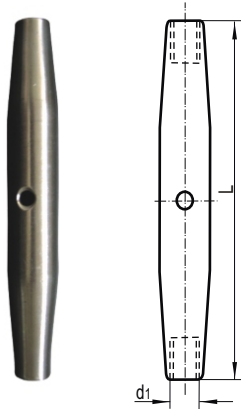
Rope Ø mm	Thread d ₁	d ₂ mm	d ₃ mm	L mm	L ₁ mm	Part number
3	M6	6.3	3.3	78	190	4 9816 03
4	M8	7.5	4.3	90	220	4 9816 04
5	M10	9.0	5.3	99	245	4 9816 05
6	M12	12.5	6.3	125	305	4 9816 06
8	M16	16.0	8.3	170	385	4 9816 08
10	M20	17.8	10.5	210	405	4 9716 10

RIGGING SCREW BODY - SWAGE STAINLESS STEEL A4 - 316



Size	Rope Ø mm	Thread d ₁	d ₂ mm	d ₃ mm	L mm	L ₁ mm	Part number
M6	3	M6	6.3	3.3	78	135	4 1816 06
M8	4	M8	7.5	4.3	90	155	4 1816 08
M10	5	M10	9.0	5.3	99	170	4 1816 10
M12	6	M12	12.5	6.3	125	215	4 1816 12
M16	8	M16	16.0	8.3	170	280	4 1816 16
M20	10	M20	17.8	10.5	210	308	4 1816 20

RIGGING SCREW - BODY
STAINLESS STEEL A4 - AISI 316



Size	d ₁ mm	L mm	Part number
M6	M6	78	4 7103 4 06
M8	M8	90	4 7103 4 08
M10	M10	99	4 7103 4 10
M12	M12	125	4 7103 4 12
M16	M16	170	4 7103 4 16
M20	M20	210	4 7103 4 16