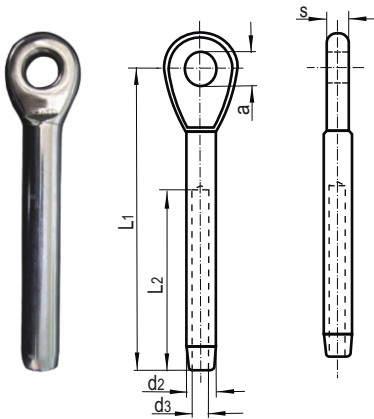
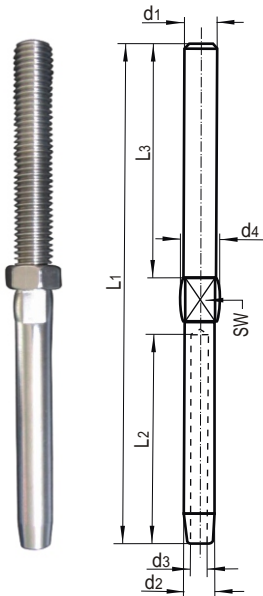


## SWAGE EYE TERMINAL STAINLESS STEEL A4 - AISI 316



Rope Ø mm	d <sub>2</sub> mm	d <sub>3</sub> mm	L <sub>1</sub> mm	L <sub>2</sub> mm	a mm	s mm	Part number
3	6.3	3.3	55	38	6.5	4.0	4 7976 4 03
4	7.5	4.3	67	43	8.5	5.0	4 7976 4 04
5	9.0	5.3	72	50	10.0	6.0	4 7976 4 05
6	12.5	6.3	93	65	12.5	8.0	4 7976 4 06
8	16.0	8.3	120	82	14.0	10.0	4 7976 4 08
10	17.8	10.5	138	90	16.0	12.0	4 7976 4 10

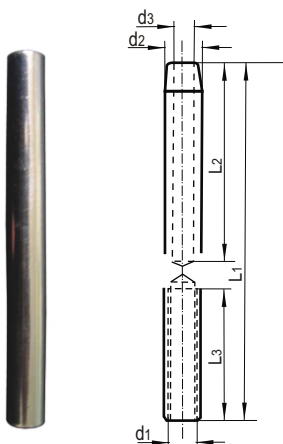
## SWAGE STUD TERMINAL STAINLESS STEEL A4 - AISI 316



Rope Ø mm	Thread d <sub>1</sub>	d <sub>2</sub> mm	d <sub>3</sub> mm	d <sub>4</sub> mm	L <sub>1</sub> mm	L <sub>2</sub> mm	L <sub>3</sub> mm	SW mm	Part number	Part number
3	M6	6.3	3.3	7.0	97	38	48	5	4 7092 4 06/3	4 7092 4 06/3 L
4	M8	7.5	4.3	8.5	115	45	54	6	4 7092 4 08/4	4 7092 4 08/4 L
5	M10	9.0	5.3	10.5	128	52	61	7	4 7092 4 10/5	4 7092 4 10/5 L
6	M12	12.5	6.3	13.5	162	63	79	10	4 7092 4 12/6	4 7092 4 12/6 L
8	M16	16.0	8.3	17.0	214	80	102	14	4 7092 4 16/8	4 7092 4 16/8 L
10	M20	17.8	10.5	18.5	215	90	105	15	4 7092 4 20/10	4 7092 4 20/10 L
12	M20	20.0	12.5	21.0	235	105	115	17	4 7092 4 20/12	4 7092 4 20/12 L
14	M22	25.0	14.5	27.0	270	110	130	20	4 7092 4 22/14	4 7092 4 22/14 L
16	M22	28.0	16.5	29.0	285	125	130	24	4 7092 4 22/16	4 7092 4 22/16 L

- L - left thread

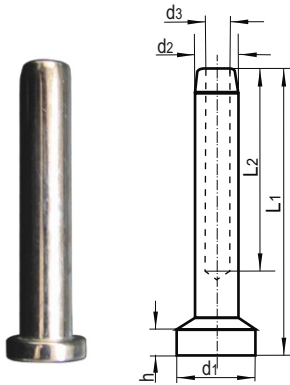
## INSIDE THREAD TERMINAL STAINLESS STEEL A4 - AISI 316



Rope Ø mm	Thread d <sub>1</sub>	d <sub>2</sub> mm	d <sub>3</sub> mm	L <sub>1</sub> mm	L <sub>2</sub> mm	L <sub>3</sub> mm	Part number	Part number
3	M5	6.5	3.3	74	40	24	4 7134 2 05/3	4 7134 2 05/3 L
4	M6	7.5	4.3	80	45	26	4 7134 2 06/4	4 7134 2 06/4 L
5	M6	9.0	5.3	85	50	26	4 7092 2 06/5	4 7134 2 06/5 L
6	M8	12.5	6.3	104	63	30	4 7092 2 08/6	4 7134 2 08/6 L

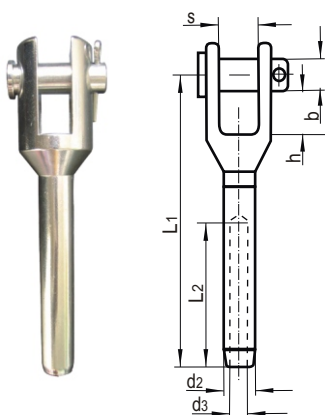
- L - left thread

## DOME HEAD TERMINAL STAINLESS STEEL A4 - AISI 316



Rope ∅ mm	d <sub>1</sub> mm	d <sub>2</sub> mm	d <sub>3</sub> mm	L <sub>1</sub> mm	L <sub>2</sub> mm	h mm	Part number
3	8.0	5.5	3.3	34	25	3.0	5 08980 03
4	10.0	6.4	4.3	35	28	3.0	5 08980 04
5	11.0	7.5	5.3	41	32	4.0	5 08980 05
6	14.0	9.0	6.3	52	40	5.0	5 08980 06

## SWAGE FORK TERMINAL STAINLESS STEEL A4 - AISI 316



Rope ∅ mm	d <sub>2</sub> mm	d <sub>3</sub> mm	L <sub>1</sub> mm	L <sub>2</sub> mm	h mm	s mm	b mm	Part number
3	6.3	3.3	63	38	12	6	6	4 7975 4 03
4	7.5	4.3	74	45	12	9	6	4 7975 4 04
5	9.0	5.3	85	52	16	10	9	4 7975 4 05
6	12.5	6.3	115	63	16	13	9	4 7975 4 06
8	16.0	8.3	130	80	22	14	14	4 7975 4 08
10	17.8	10.5	155	100	24	16	16	4 7975 4 10
12	20.0	12.5	165	105	25	20	16	4 7975 4 12
14	25.0	14.5	180	110	27	23	18	4 7975 4 14
16	28.0	16.5	230	125	30	24	20	4 7975 4 16