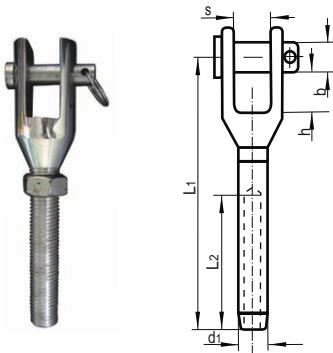


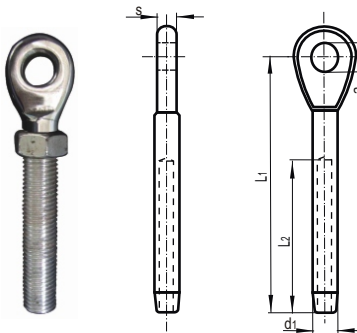
THREADED FORK STAINLESS STEEL A4 - AISI 316



Size	d ₁	L ₁ mm	L ₂ mm	h mm	b mm	s mm	Part number	Part number
M6	M6	65	38	9	5	6	4 7147 2 06	4 7147 2 06 L
M8	M8	75	45	11	6	8	4 7147 2 08	4 7147 2 08 L
M10	M10	87	48	11	8	10	4 7147 2 10	4 7147 2 10 L
M12	M12	105	60	14	8	12	4 7147 2 12	4 7147 2 12 L
M16	M16	150	85	20	12	16	4 7147 2 16	4 7147 2 16 L
M20	M20	210	105	23	8	18	4 7147 2 20	4 7147 2 20 L

- L - left thread

THREADED EYE STAINLESS STEEL A4 - AISI 316



Size	d ₁	L ₁ mm	L ₂ mm	a mm	s mm	Part number	Part number
M6	M6	62	44	7	4	4 7149 2 06	4 7149 2 06 L
M8	M8	75	52	9	5	4 7149 2 08	4 7149 2 08 L
M10	M10	95	62	11	6	4 7149 2 10	4 7149 2 10 L
M12	M12	110	75	13	8	4 7149 2 12	4 7149 2 12 L
M16	M16	135	95	15	10	4 7149 2 16	4 7149 2 16 L
M20	M20	210	105	20	15	4 7149 2 20	4 7149 2 20 L

- L - left thread